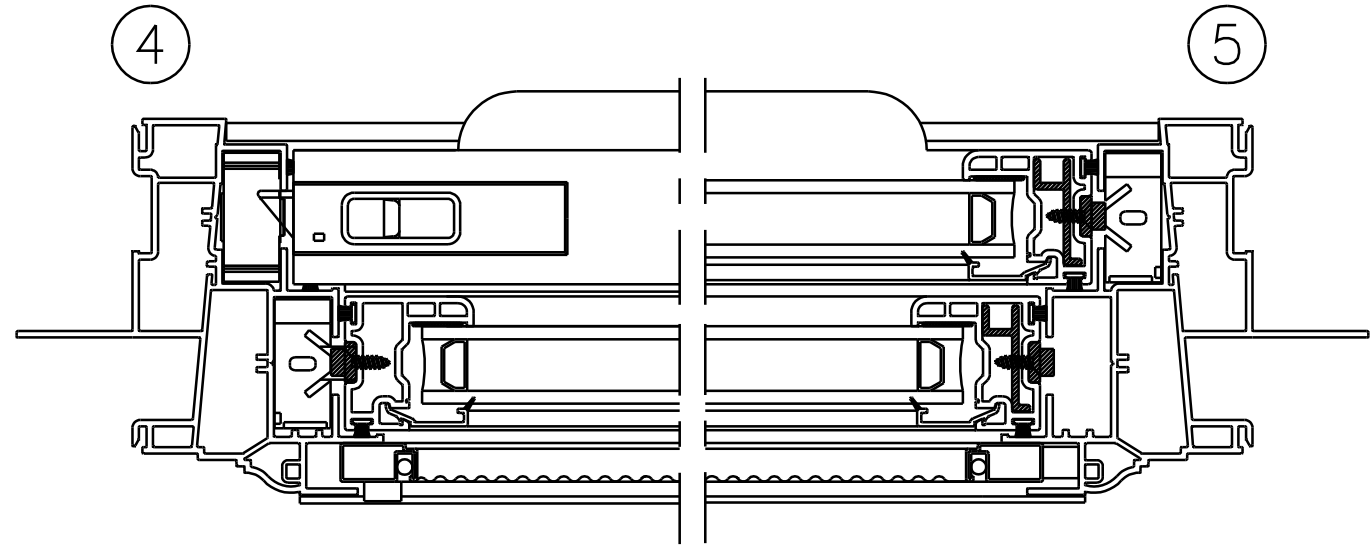
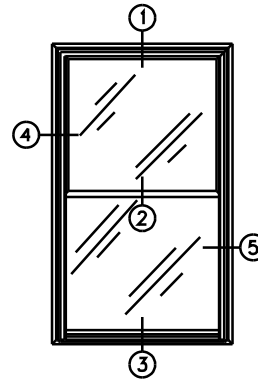
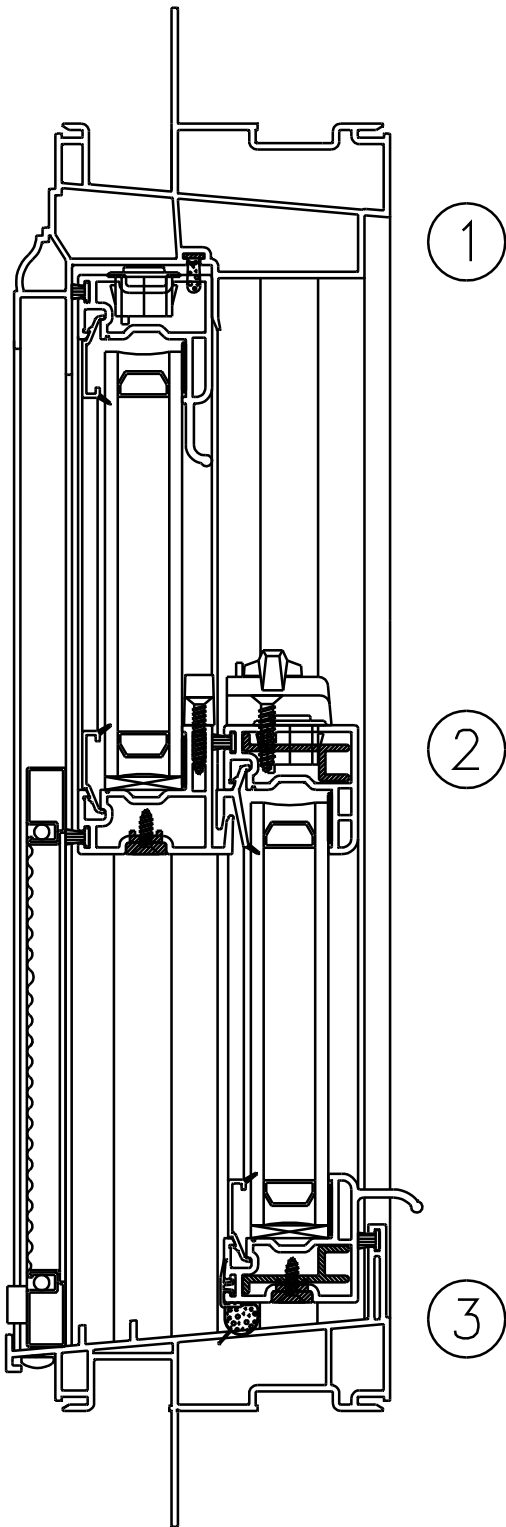


CAD MAINTAINED. CHANGES SHALL BE INCORPORATED BY THE DESIGN ACTIVITY.

REV STATUS		REVISION HISTORY			
REV	SH	REV.	DESCRIPTION	DATE	APPROVED
A	1	A	UPDATED FRAME	2003/08/07	CRB
-	-				



THIS DOCUMENT CONTAINS PROPRIETARY INFORMATION. DO NOT COPY OR DISCLOSE THIS INFORMATION WITHOUT THE EXPRESS WRITTEN CONSENT OF DAYTON TECHNOLOGIES. DAYTON TECHNOLOGIES RESERVES THE RIGHT TO CHANGE THIS DRAWING AND ANY ASSOCIATED DOCUMENTS.

UNLESS OTHERWISE SPECIFIED
DIM ARE IN INCHES
TOL ON ANGLE ± 1°
2 PL: ± .01 3 PL: ± .005
INTERPRET DIM AND TOL PER
ASME Y14.5M - 1994 - - - -
THIRD ANGLE PROJECTION



DESIGN BY: CRB
DATE: 04/01/07
DRAWN BY: CRB
DATE: 04/01/07
AUTH:
DATE:
FILENAME:
pd/ossembly/145095DH.m

Dayton TECHNOLOGIES
deceuninck
351 NORTH GARBER ROAD
NORTH AMERICA, OHIO 46050

NAME:
145095 DOUBLE HUNG
DWG. NO: 145095DH
SCALE: 1 : 1 (LBS/FT)
SHEET: 1 OF 1

LAYOUT DRAWING