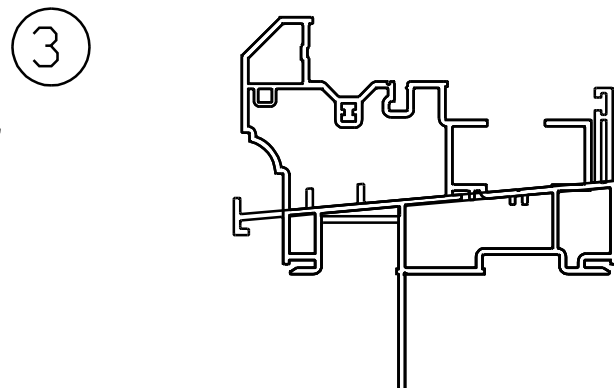
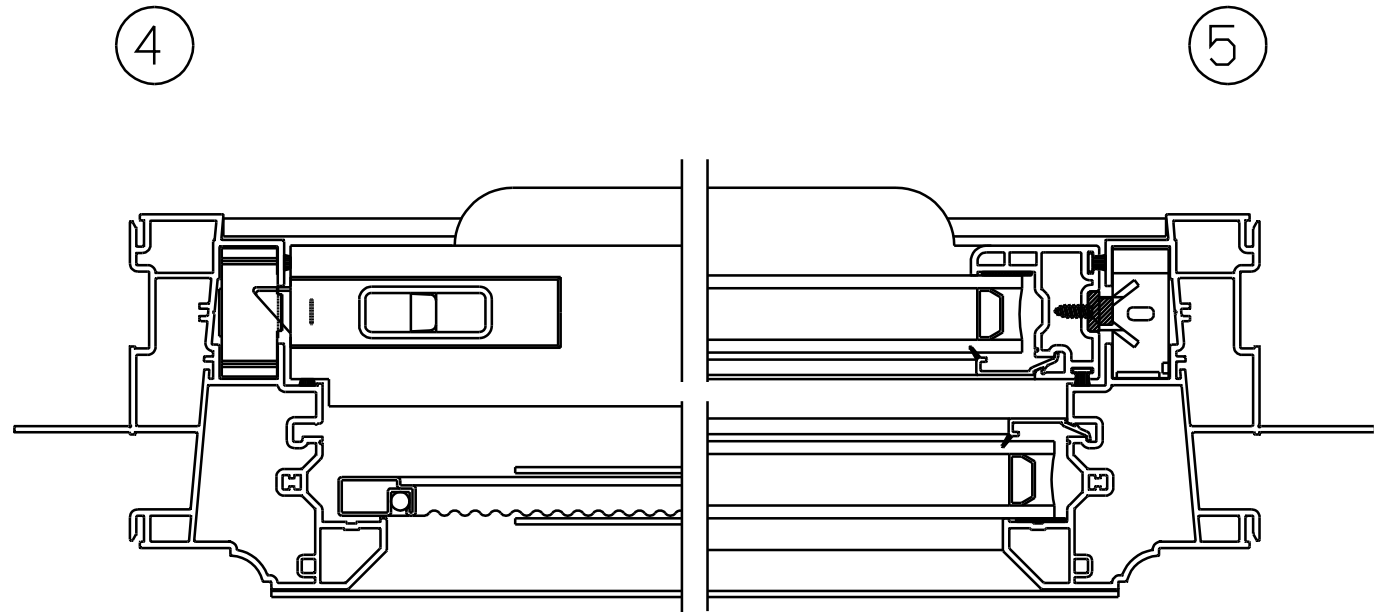
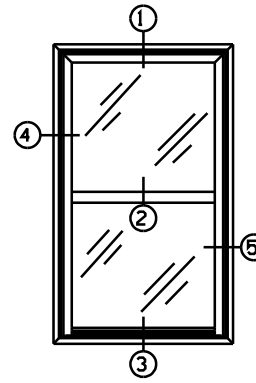
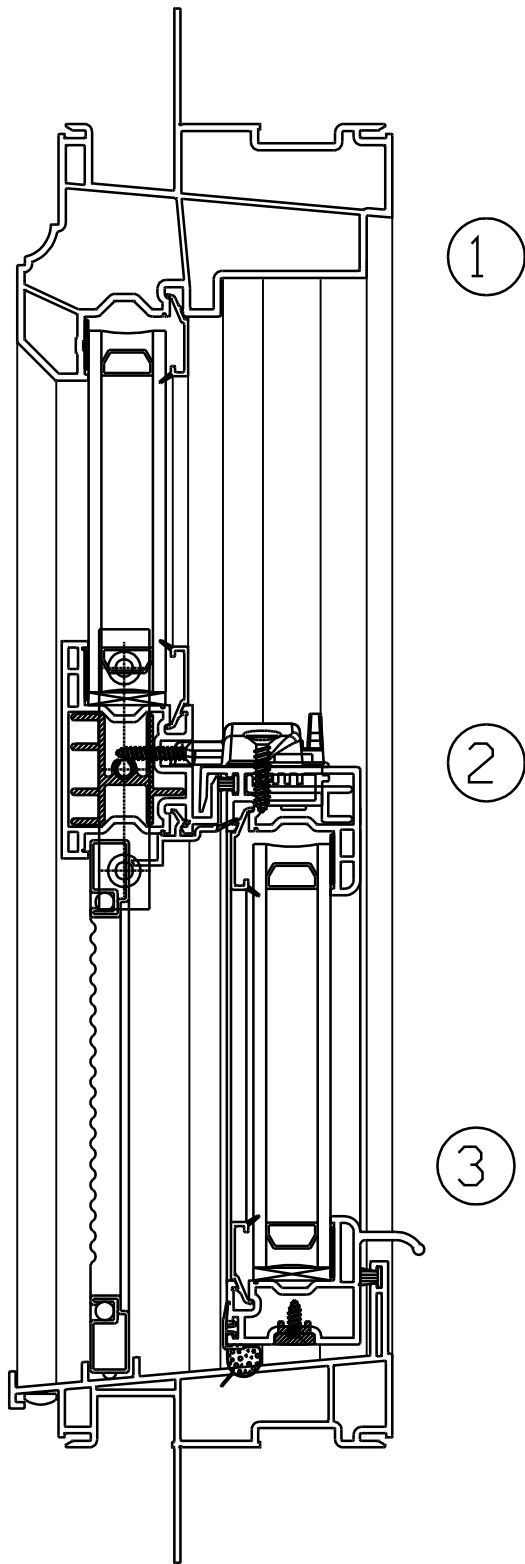


REV.	DATE	DESCRIPTION	BY



DAYTON TECHNOLOGIES			
NAME:	143095SH		
DRAWN BY:	CRB	DATE:	04/05/04
CHECKED BY:		DATE:	
SCALE:	1 : 1 "C"		
PART FIG. NO.	143095SH		