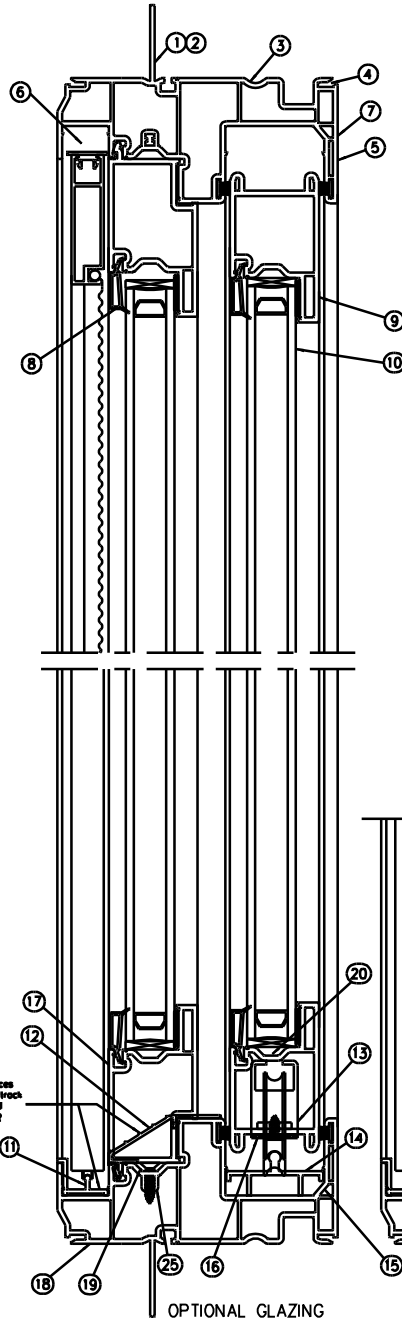


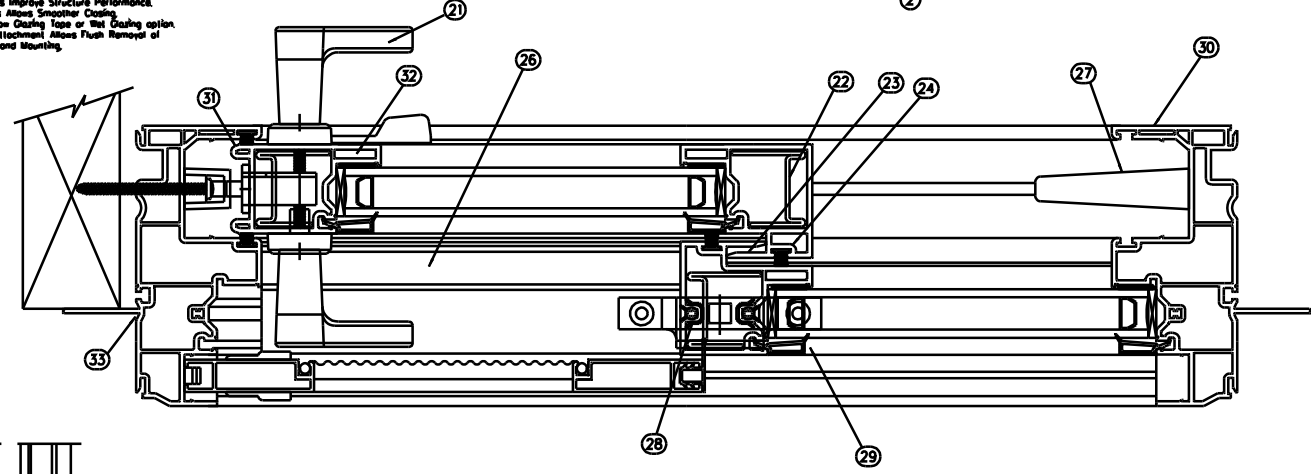
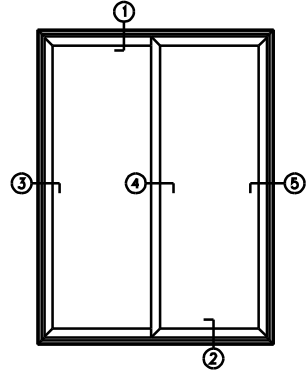
This NEW CONSTRUCTION DOOR is designed to meet minimum AAMA Performance Requirements and be Feature Laden for Builder Selectability. The main feature of this door is it's surprisingly low TOTAL MANUFACTURED COST when compared to Standard Vinyl Patio Doors.

REV	DATE	DESCRIPTION	BY
1	5/14/95	Initial Rev. for 5957 PD	RM
2	5/14/95	Revised Drawing, 1/2" x 1/2" x 1/2" x 1/2"	RM
3	5/14/95	Removed Optional Ramp	RM



1

1. 1/8" Nail Fin for Easier Installation.
2. 1/8" Nail Fin Subslot for "Power Wall" Option.
3. Extruded Groove for Sure Support Placement.
4. Standard Accessories in Face Accessory Groove.
5. Dual Weatherstrip Frame for Better Locks and Air Performance.
6. Screen Guide to Improve Performance.
7. Dual Wall Leg for Strength.
8. Dual Wall and Dual Snap Glazing Bead for Strength and Reusability.
9. Dual Wall Clamping Strip for Strength and Reusability.
10. Utilizes 3/4" Glass for Maximum Thermal Performance / Cost Ratio.
11. Replaceable Aluminum Screen Track for Durability and Reinforcement of Front Leg.
12. Replaceable Aluminum Threshold for Durability.
13. Face-Adjustable, Tension, Steel Roller is Designed to Support Glass.
14. Replaceable Aluminum Roller Track for Long Life.
15. Angled Legs for Better Structural Performance.
16. Automotive Grade Screen Clips to prevent Roller Screw Tear-Out and to Allow Replacement.
17. Optional Glass Rear Back used at Head and SR to Allow Common Glass Units.
18. Left or Right Hand Door Operation Achieved thru Cant-Beaming Frame.
19. Zinc Die-Cast Anchor For Easy Meeting Nail Replacement and Simpler Fabrication / Water Resistance.
20. All Glass Channels are Weld to Lengthen Glass Seal Life.
21. Single-Point Handle Has Two Options: Painted or Brass.
22. Common Reinforcement in Sides.
23. Heavy-Duty 5/8" Dual Interlock for Weather Tightness and Easier Alignment.
24. Dual Weather Strips are Set Back for Better Aesthetics.
25. Heavy Duty Screen Base Strengthens Meeting Roll Anchor Attachment.
26. Snap - in Threshold for Ease of Manufacturing.
27. Solid Rubber Heavy Duty Bumper Stops Panels Easily.
28. Heavy Duty Screen Bases Reinforce Meeting Roll Attachment.
29. Wide Screen Bug Flap Lessens Infiltration.
30. Dual Frame Legs Improve Structure Performance.
31. Cornering Radius Allows Smoother Closing.
32. Panel Stops Allow Clearing Tape or Wet Glazing option.
33. Meet Nail Fin Attachment Allows Flush Removal of Fin for Washing and Mounting.



3

4

5

Threshold in two places to allow the screen track to run full width and threshold to run 1/2 down.

OPTIONAL GLAZING

DAYTON TECHNOLOGIES
 A MEMBER OF THE BECKWITH GROUP
 MODEL 5957 PATIO DOOR
 12/22/95
 5957PD-B