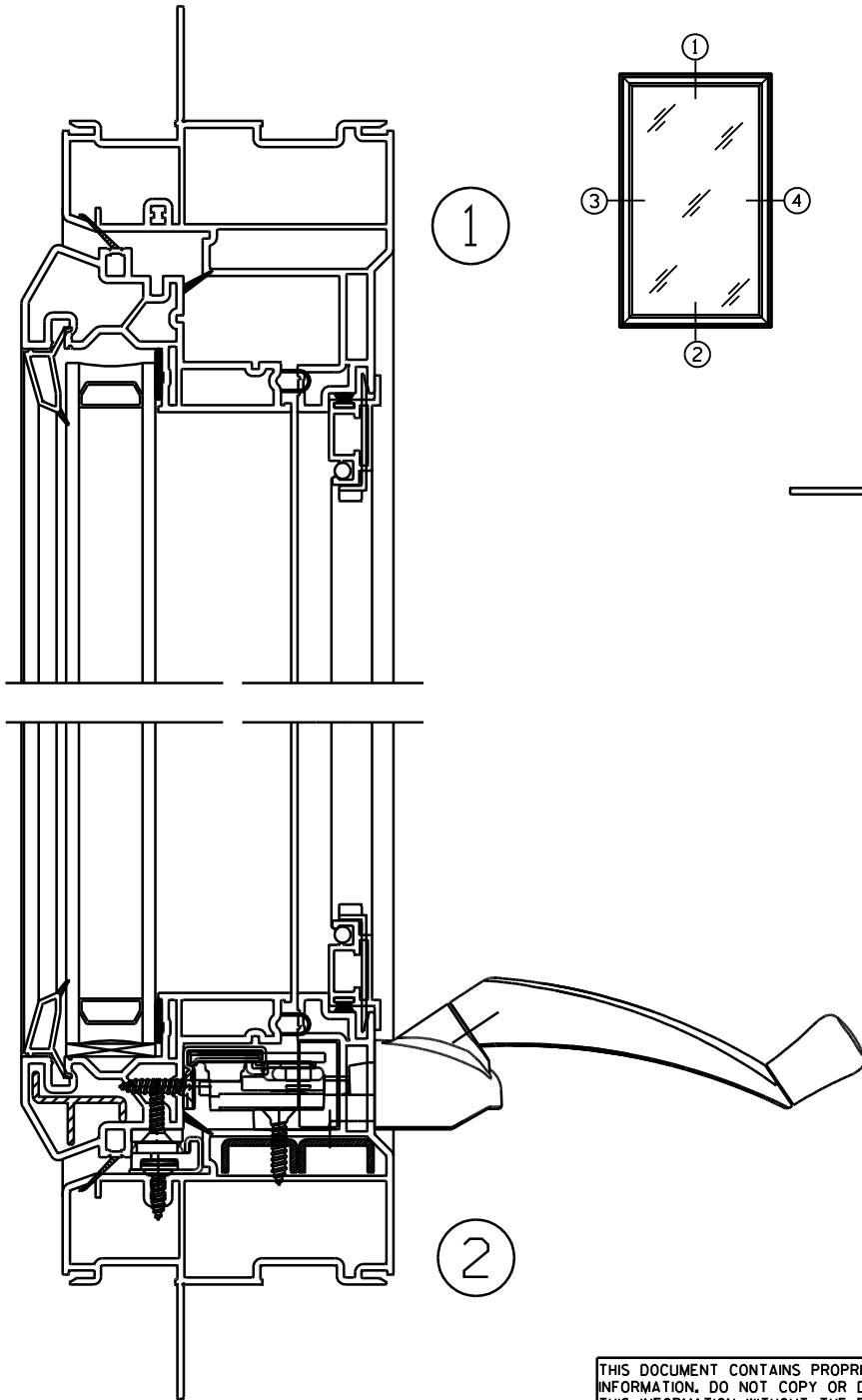


CAD MAINTAINED. CHANGES SHALL BE INCORPORATED BY THE DESIGN ACTIVITY.



THIS DOCUMENT CONTAINS PROPRIETARY INFORMATION. DO NOT COPY OR DISCLOSE THIS INFORMATION WITHOUT THE EXPRESS WRITTEN CONSENT OF DECEUNINCK NORTH AMERICA. DECEUNINCK NORTH AMERICA RESERVES THE RIGHT TO CHANGE THIS DRAWING AND ANY ASSOCIATED DOCUMENTS.

UNLESS OTHERWISE SPECIFIED DIM ARE IN INCHES ALL UNTOLERANCED DIMENSIONS ARE BASIC INTERPRET DIM AND TOL PER ASME Y14.5M - 1994	DESIGN BY:	CRB		DATE:	01/05/15	<small>COPYRIGHT 2006 351 NORTH GARVER ROAD MONROE, OHIO 45060</small>
	DRAWN BY:	CRB		DATE:	01/05/15	
THIRD ANGLE PROJECTION	AUTH:	DATE:	NAME:	140I48 CASEMENT		REV.
	AUTH:	DATE:	SIZE DWG. NO:	140I48CA	NEW	
	FILENAME:	140I48CA.dgn	SCALE:	SCALE (LBS./FT.)	LBS./FT.	SHEET:
						1 OF 1

1/29/2006 usrb

H:\pdp\assembly\140I48CA.dgn