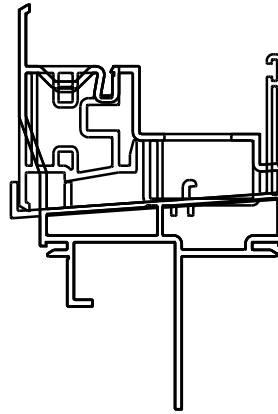
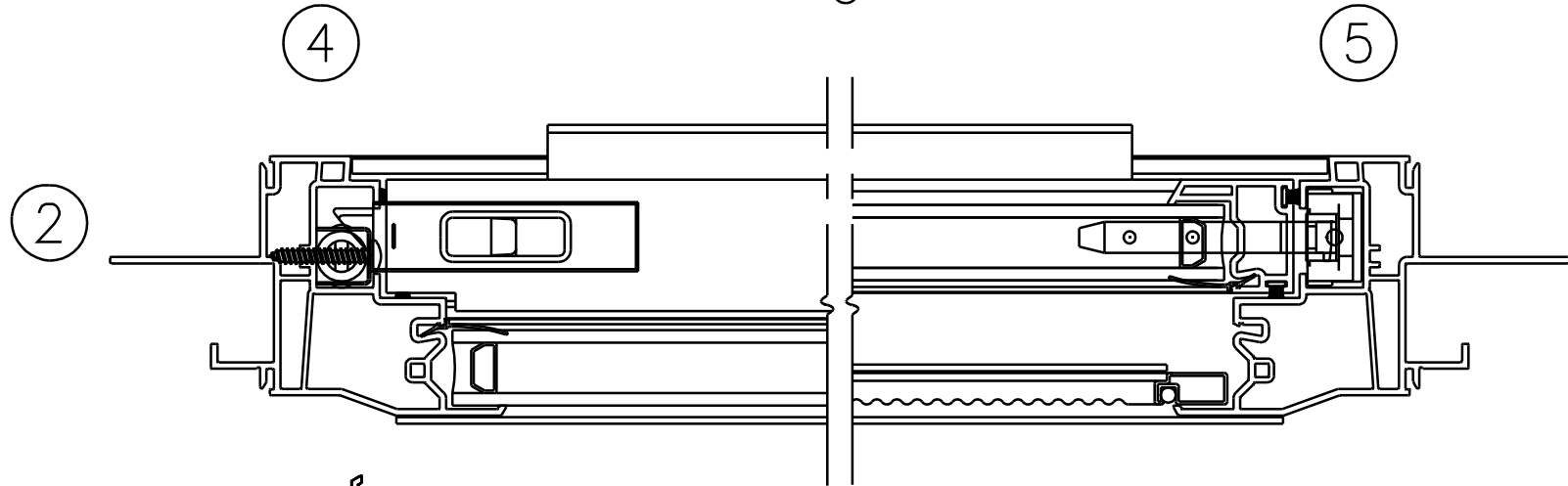
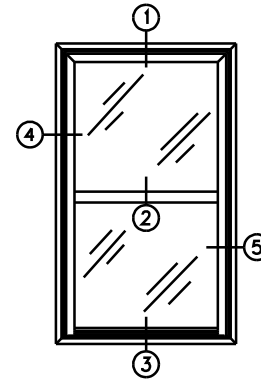
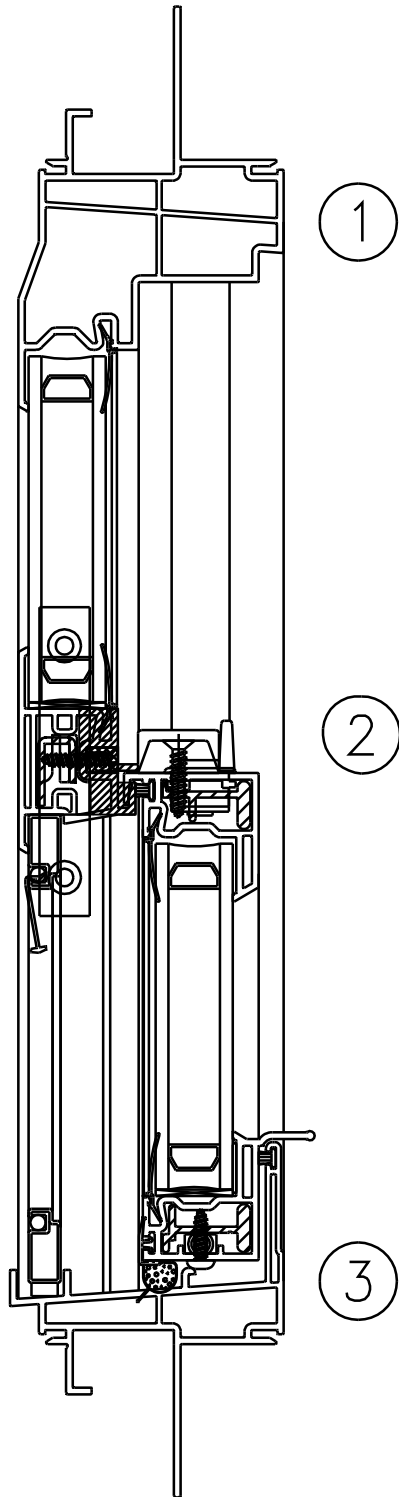


CAD MAINTAINED. CHANGES SHALL BE INCORPORATED BY THE DESIGN ACTIVITY.

REV STATUS		REVISION HISTORY			
REV	SH	REV.	DESCRIPTION	DATE	APPROVED
-	-	☐	---	YR/MTH/DAY	---
-	-				
-	-				



LAYOUT DRAWING

THIS DOCUMENT CONTAINS PROPRIETARY INFORMATION. DO NOT COPY OR DISCLOSE THIS INFORMATION WITHOUT THE EXPRESS WRITTEN CONSENT OF DAYTON TECHNOLOGIES. DAYTON TECHNOLOGIES RESERVES THE RIGHT TO CHANGE THIS DRAWING AND ANY ASSOCIATED DOCUMENTS.

UNLESS OTHERWISE SPECIFIED
 DIM ARE IN INCHES
 TOL ON ANGLE ± 1°
 2 PL: ± .01 3 PL: ± .005
 INTERPRET DIM AND TOL PER
 ASME Y14.5M - 1994 - - - -
 THIRD ANGLE PROJECTION

DESIGN BY: MTC
 DATE: 04/02/11
 DRAWN BY: MTC
 DATE: 04/02/11
 AUTH:
 DATE:
 FILENAME:
 /pd/assembly/310300SH.mi

	deceuninck <small>351 NORTH GARBER ROAD NORTH AMERICA, OHIO 46050</small>		COPYRIGHT 2012
	NAME: 310300 SINGLE HUNG		
C	DWG. NO: 310300SH	REV. -	SCALE: 1 : 1 (LBS/FT) - - - SHEET: 1 OF 1

