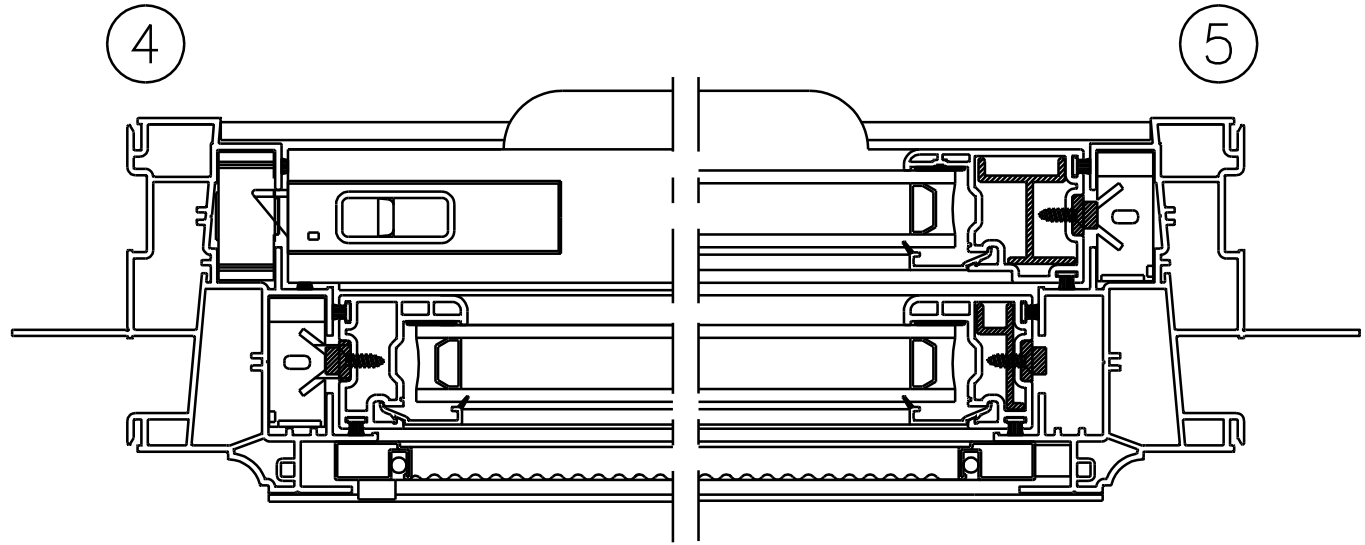
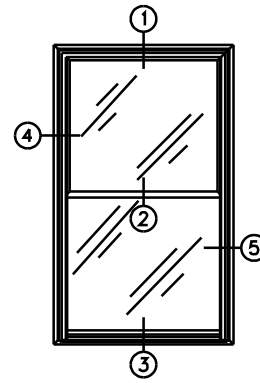
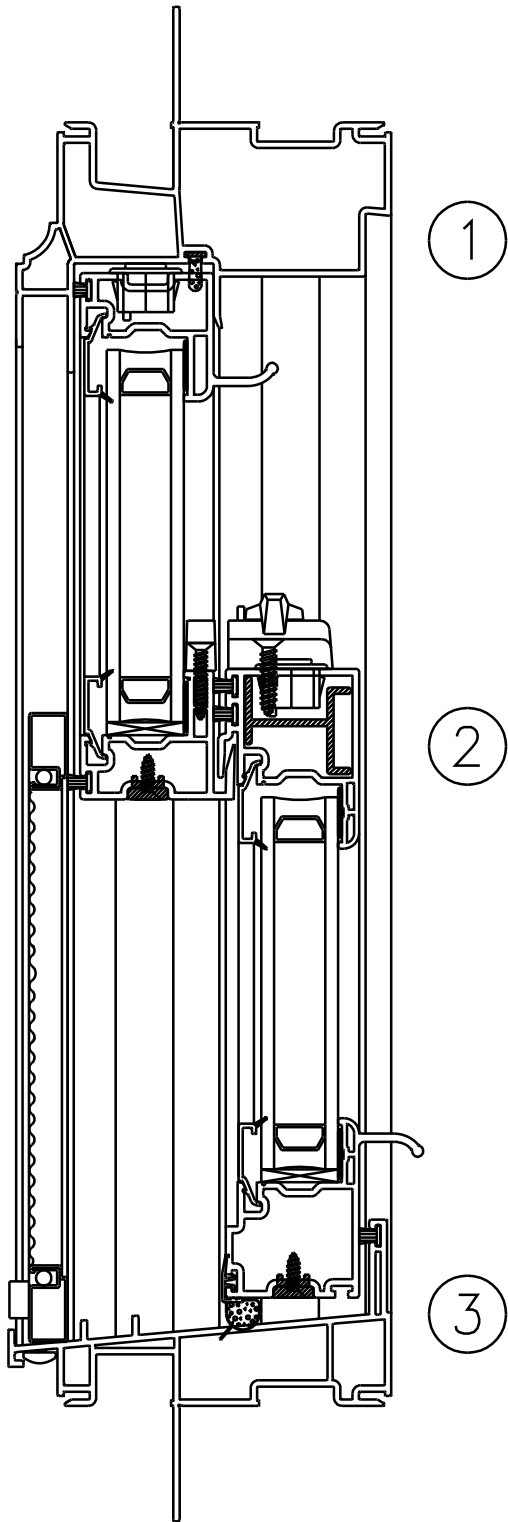


REV.	DATE	DESCRIPTION	BY



- NOTES:
1. This print contains proprietary information. Do not copy without express written consent of DAYTON TECHNOLOGIES.
 2. DAYTON TECHNOLOGIES reserves the right to change specifications.
 3. Assembly prints are intended to be guidelines only. See detail prints for actual construction.

DAYTON TECHNOLOGIES			
MONROE, OHIO		Copyright 2004	
NAME: 143.195 Double Hung			
DRAWN BY: CRB		DATE: 01/09/04	
CHECKED BY:		DATE:	
SCALE: 1 : 1 "C"			
PART DESC. NO:		143195DH	