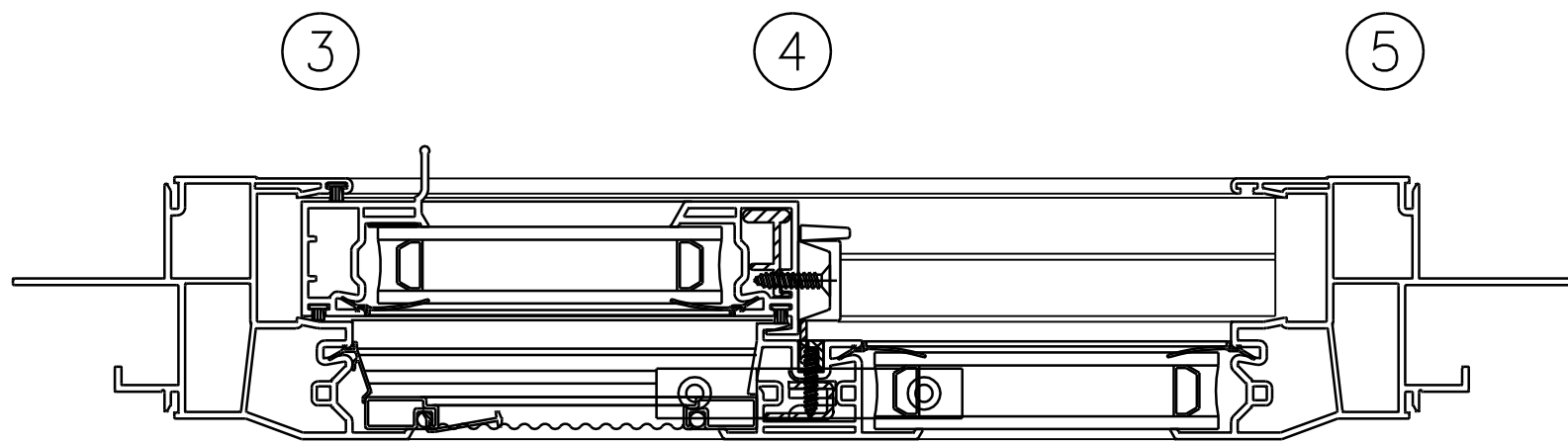
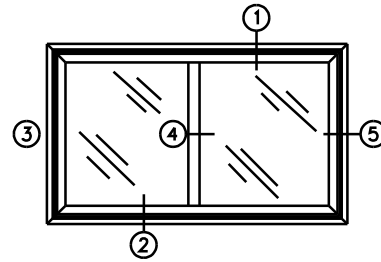
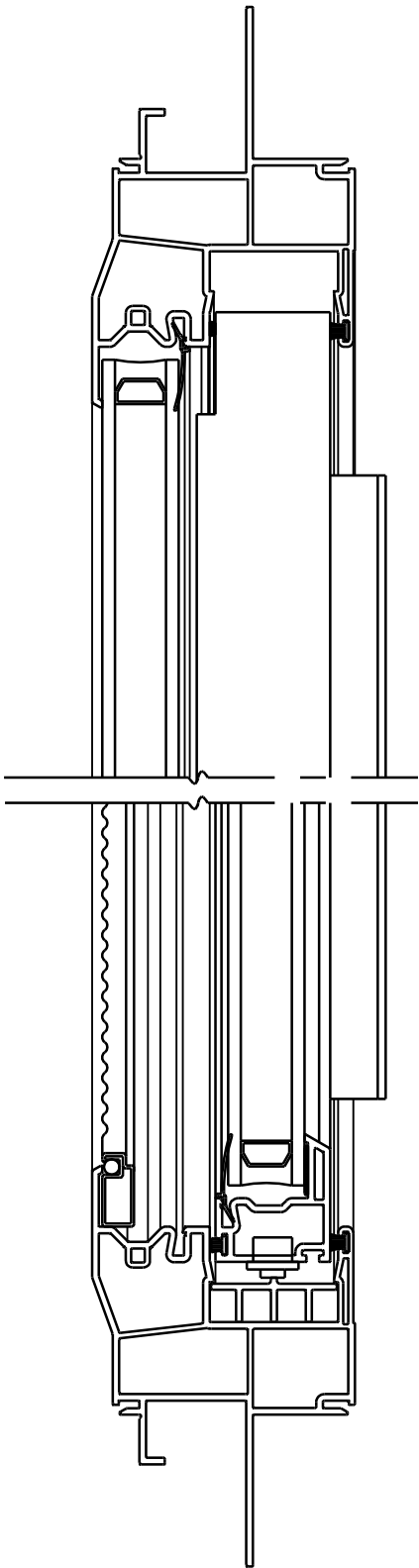


CAD MAINTAINED. CHANGES SHALL BE INCORPORATED BY THE DESIGN ACTIVITY.

REV STATUS		REVISION HISTORY			
REV	SH	REV.	DESCRIPTION	DATE	APPROVED
-	-	☐	---	YR/MTH/DAY	---
-	-				
-	-				



THIS DOCUMENT CONTAINS PROPRIETARY INFORMATION. DO NOT COPY OR DISCLOSE THIS INFORMATION WITHOUT THE EXPRESS WRITTEN CONSENT OF DAYTON TECHNOLOGIES. DAYTON TECHNOLOGIES RESERVES THE RIGHT TO CHANGE THIS DRAWING AND ANY ASSOCIATED DOCUMENTS.

UNLESS OTHERWISE SPECIFIED
 DIM ARE IN INCHES
 TOL ON ANGLE ± 1°
 2 PL: ± .01 3 PL: ± .005
 INTERPRET DIM AND TOL PER
 ASME Y14.5M - 1994 - - - -
 THIRD ANGLE PROJECTION



DESIGN BY: MTC
 DATE: 04/02/11
 DRAWN BY: MTC
 DATE: 04/02/11
 AUTH:
 DATE:
 FILENAME: /pd/ossembly/310300SS.mi

LAYOUT DRAWING

COPYRIGHT 2012
 351 NORTH GARBER ROAD
 NORTH AMERICA, OHIO 46050

Dayton TECHNOLOGIES deceuninck

NAME: 310300 SINGLE SLIDER

DWG. NO: 310300SS REV. NEW

SCALE: 1 : 1 (LBS/FT) N/A SHEET: 1 OF 1